

DIXIE-NARCO

Service Bulletin # 166

Date: 10/16/73

MODELS: All Adaptables with Security Door
All Serpentine with Security Door

SUBJECT: Bolt Kit

REASON: To provide bolts, nuts and washers to secure the inner tank and outer shell as a Unit if the inner tank breaks away from the insulation and affects the location of the Strike Assembly.

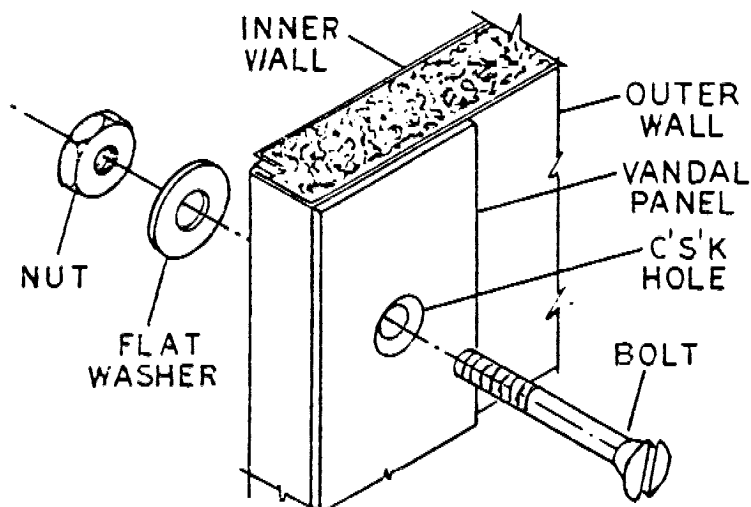
DO THIS: 1. Drill 1/4" hole or holes through the right hand (cabinet) vandal panel near vertical center line of the vandal panel and all the way through the cabinet to the inside as required. * Counter sink outside using 1/2" Dia. x 82° counter sink.

CAUTION: Before drilling hole, make sure that bolt hole will be covered by Door Vandal Panel when door is fully closed.

2. a. Insert the flat head bolt.
- b. Install the flat washer on the inside on the bolt.
- c. Secure the nut to the bolt.
- d. Caution: Do Not Overtighten.
- e. Seal the nut and washer with permagum.
- f. When main door is closed, the head of the bolt is covered by the door vandal panel.

KIT CONSISTS OF:

2	900,201,340.01	Bolt, 1/4 - 20 x 1-3/4 Flat Head Slotted - Galv.
2	900,900,480.02	Nut, 1/4 - 20, Galv.
2	900,700,130.01	Washer, 3/8 ID x 1" OD x 14 ga. galv.
1	903,600,020.01	Permagum - 2 oz.



* FIG. 1.

* Added

Dixie-Narco, Inc.
Service Department